

A

A

B

B

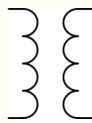
C

C

D

D

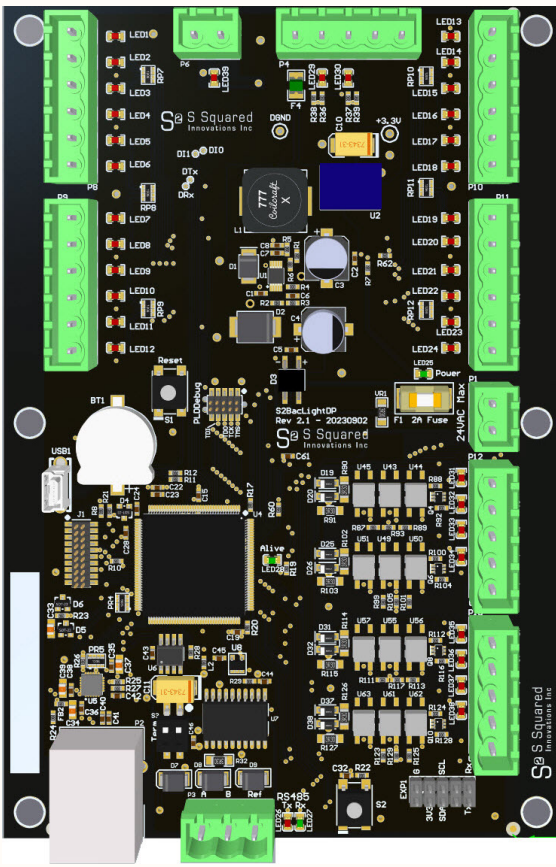
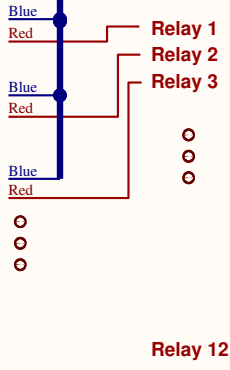
Line Voltage



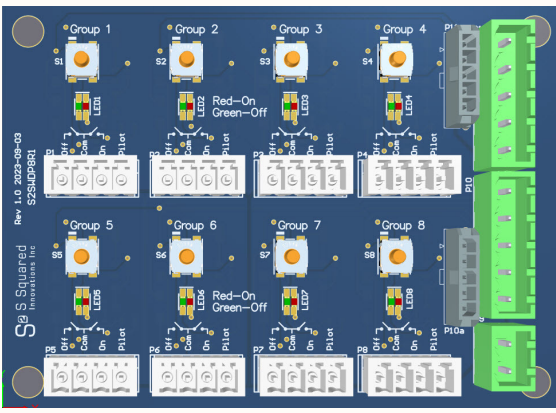
White (24VAC)

24VAC 40VA Secondary

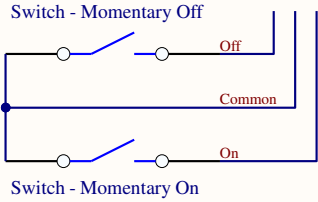
Blue (24VAC)



White (24VAC)
Blue (24VAC)



White
Blue



Title: Typical S2BACLightDP with S2SWDP8		
Rev: 1.0	Drawn by: SSS	
Sheet: 1 of 1	Date: 2024-03-19 2:36:04 PM	
Filename: S2SWDP8_Conn_A.SchDoc		