

# S2SWDP8

## Momentary Switch Input Module

### Introduction

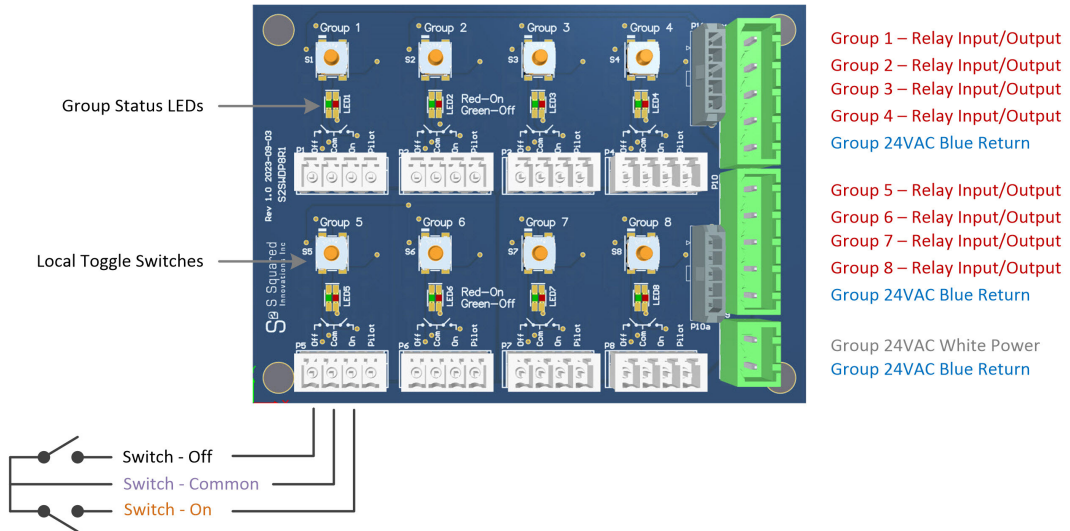
The S2SWDP8 is an eight (8) channel momentary switch module that can be used to control Industry standard 2-wire lighting relays (Panasonic, Aromat, Douglas, NexLight, etc) either directly or in conjunction with the S2BACLightDP and other lighting controllers such as the older Douglas lighting devices (e.g WRS-2224)

### Hardware Features

The S2SW8DP has the following hardware features:

Part Numbers:	S2SWDP8 (Magnetic Standoff Base – Standard) S2SWDP8-DIN (DIN Rail Mount)
Power Requirements:	24VAC @ 500mA (varies based upon wiring connections)
Environment:	
Temperature	0 C to +70 C
Humidity	10 – 95 % RH (non-condensing)
Dimensions:	10.9cm x 7.9cm x 3.1cm (4.3” x 3.1” x 1.2”)
Electrical:	
Outputs:	Eight (8) Channel 24VAC Pulsed Outputs controlling - S2BACLightDP Group Inputs - Panasonic, Douglas, Aromat, and other Compatible 24VAC 2-wire relays  Eight (8) Dual LED (Red/Green) Output/Group Real-Time Status Indicators
Inputs:	Eight (8) Momentary “On” Switch Inputs (2-wire / Dry Contact) Eight (8) Momentary “Off” Switch Inputs (2-wire / Dry Contact) Eight (8) On-board Local Switches (Toggle on/off)

### S2SW8DP – Wiring Connections



### Usage

The S2SWDP8 can be used as an interface to control Panasonic (Aromat, Douglas, NexLight, or other compatible 2-wire relays) lighting control relays (e.g. standalone applications) or used in conjunction with S2’s Lighting controllers (S2BACLIGHTDP) or older Douglas controllers such as the WRS-2224, WTP-4408, WR-8812/8824, etc devices.

The S2SWDP8’s “Outputs” are actually bidirectional, as they output the correct control signals for the lighting control relays and other equipment, but also serve as an input to provide real-time feedback of the output level (on or off).

Control of the S2SWDP8’s “Outputs” is by either the onboard pushbutton toggle switches, or with externally connected **momentary** switches or dry contact connections. The externally connected switches allow the customer to use whatever switch type or style that fits their budget, style, or aesthetic and so provides maximum flexibility. It is important to note that the external switches/dry contact connections must be momentary. Sustained or maintained contacts are not supported by the S2SWDP8.